

SAiGE Longlife Decking Ltd

TEST REPORT

SCOPE OF WORK

SAiGE Composite Fences

REPORT NUMBER

190621006SHF-001

TEST DATE(S)

2019-08-12 - 2019-08-16

ISSUE DATE

2019-09-11

PAGES

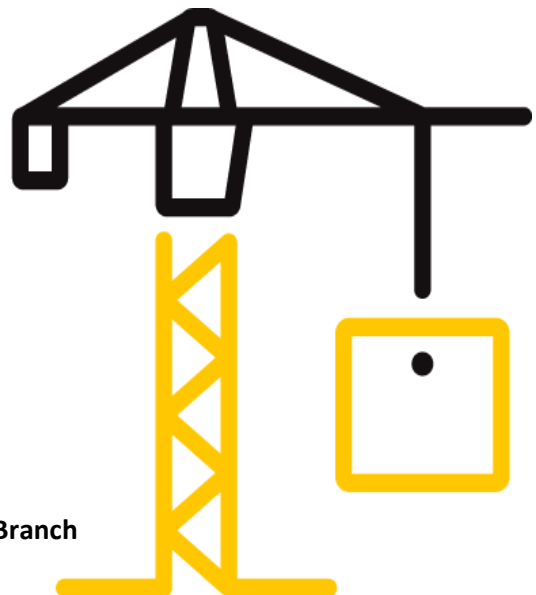
6

DOCUMENT CONTROL NUMBER

LFT-APAC-SHF-OP-10k(May 1, 2019)

© 2019 INTERTEK

Intertek Testing Services Shenzhen Ltd. Shanghai Fengxian Branch



Test Report

Statement

- 1.This report is invalid without company's special seal for testing on assigned page.
- 2.This report is invalid without authorized person's signature.
- 3.This report is invalid where any unauthorized modification indicated.
- 4.Don't copy this report in partial (except full copy) without any official approval in written by our company. This report is invalid without re-stamping the special seal for testing in copying report.
- 5.Any holder of this document is advised that this report is for the exclusive use of Intertek's Customer and is provided pursuant to the agreement between Intertek and its Customer. Intertek's responsibility and liability are limited to the terms and conditions of the agreement. This report was made with due care within the limitation of a defined scope of work and on the basis of information, materials and instructions received from the Customer or its nominated third parties. Intertek is under no obligation to refer to or report upon any facts or circumstances which are outside the specific instructions received and accepts no responsibility to any parties whatsoever, following the issue of the report, for any matters arising outside the agreed scope of the works. The tests results are not intended to be a recommendation for any particular course of action. Customer is responsible for acting as it sees fit on the basis of such results.
- 6.Intertek's written consent is required to use Intertek's name or logo on the object, product or service being tested. The observations and test results in this report relate only to the sample under test. This report alone does not indicate that the item, product or service has passed any Intertek certification program.

Test Report

Issue Date: 2019-09-11 Intertek Report No. 190621006SHF-001
 Applicant: SAiGE Longlife Decking Ltd
 Address: Vicarage Barns Lower Quinton Stratford upon Avon Warwickshire CV37 8SH
 Attn: Robert Moore
 Test Type : Performance test, samples provided by the applicant.

Product Information

Product Name	SAiGE Composite Fences		Brand	SAiGE
Sample Description	Good Condition		Sample Amount	1 set
			Received Date	2019/5/29, 2019/7/10
Sample ID	Model	Specification		
S190621006SHF.001	1	1.8*1.8		

Test Methods And Standards

Test Standard	In House method offered by applicant
Specification Standard	No known Standard for Wind resistance
Test Conclusion	The samples were tested according to the above standards, and the results are shown in the following page.

Note:

1.This report relates specifically to the sample(s) that were drawn and provided by the applicant or their nominated third party. The reported result(s) provide no warranty or verification on the sample(s) representing any specific goods and/or shipment and only relate to the sample(s) as received and tested.

Report Authorized



 Name: Daniel Zhang Name: Torres Qi
 Title: Reviewer Title: Project Engineer



Test Report

Issue Date: 2019-09-11

Intertek Report No. 190621006SHF-001

Test Items, Method and Results:

Test Item	Test Method	Test Result
Wind resistance test	The test was conducted with quarter-point loading method	The fence system resisted the test load (level 9) over the effective area without any failure
		After reaching test level Gale Force 9, the applicant required the load to be applied until the Fence showed signs of failure. The Fence withstood the maximum pressure that the test equipment was able to apply (which was 7140N), without any signs of failure in the Fence.

Note:

1. The effective area is 3.13m^2 (1.73m wide \times 1.81m height)
2. Wind level 9, the test load $372.1\text{N/m}^2 \times 1.73\text{m} \times 1.81\text{m} = 1165\text{ N}$
3. The test method was offered by Applicant



Test photo

Test Report

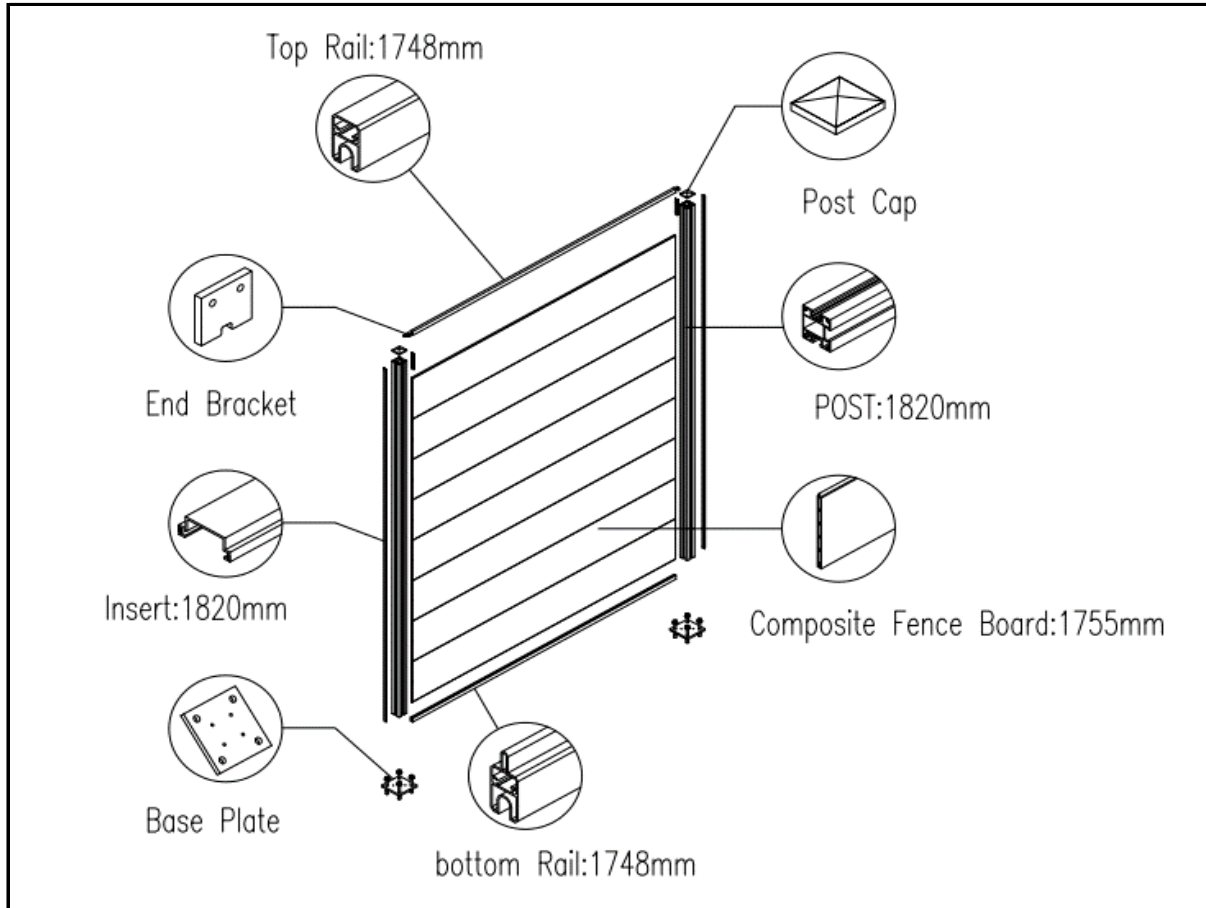
Issue Date:

2019-09-11

Intertek Report No.

190621006SHF-001

Drawing:



Test Report

Issue Date: 2019-09-11

Intertek Report No. 190621006SHF-001

Appendix A: Sample Received Photo



Revision:

NO.	Date	Changes	Author	Reviewer
190621006SHF-001	2019-09-11	First issue	Torres Qi	Daniel Zhang