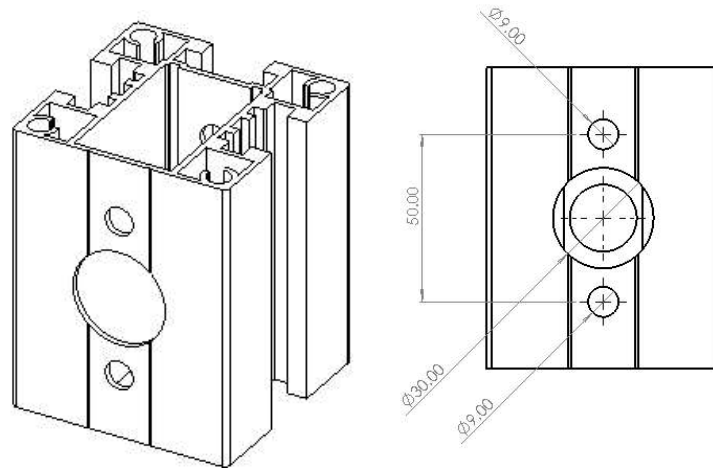
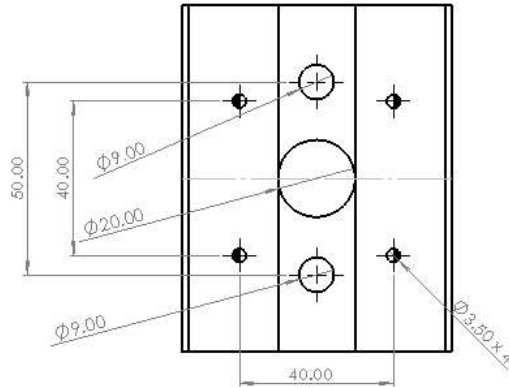


**Saige Gate Latch Fitting Instructions**

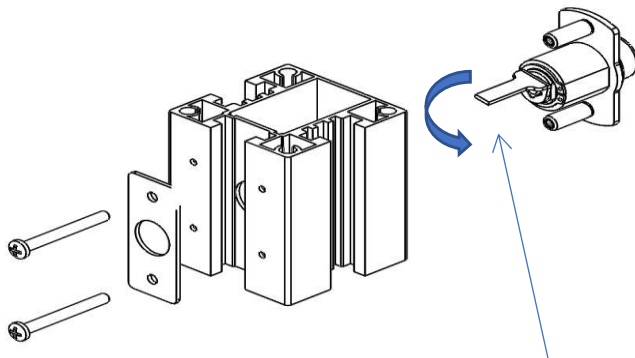
1. When fitting the post that is going to be fitted with the lock it is best to have the large cavity facing the lock side. Determine the height for the latch and then drill the holes as shown below.



2. Now on the other side drill the holes shown below ensuring that the three centre holes line up with the holes at the front. Ensure that the Dia 3.5 holes go through 2 x wall sections to allow for the 32mm long self-tapping screws.

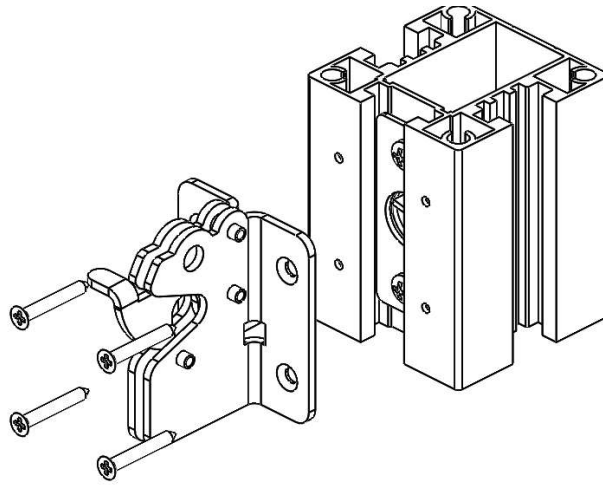


3. Now assemble the lock as shown using the M5 x 50 Pan Head Screws supplied



Tab to be at the bottom for non-locking

- Now fit the latch using 4 of the No8 x 32 self-tapping screws provided.



- Cut the post inserts to suit.

- Now fit the striker pilot drilling the holes Dia 3.5 through 2 sections of the gate frame as shown below. Ensure that the striker is located as shown.

